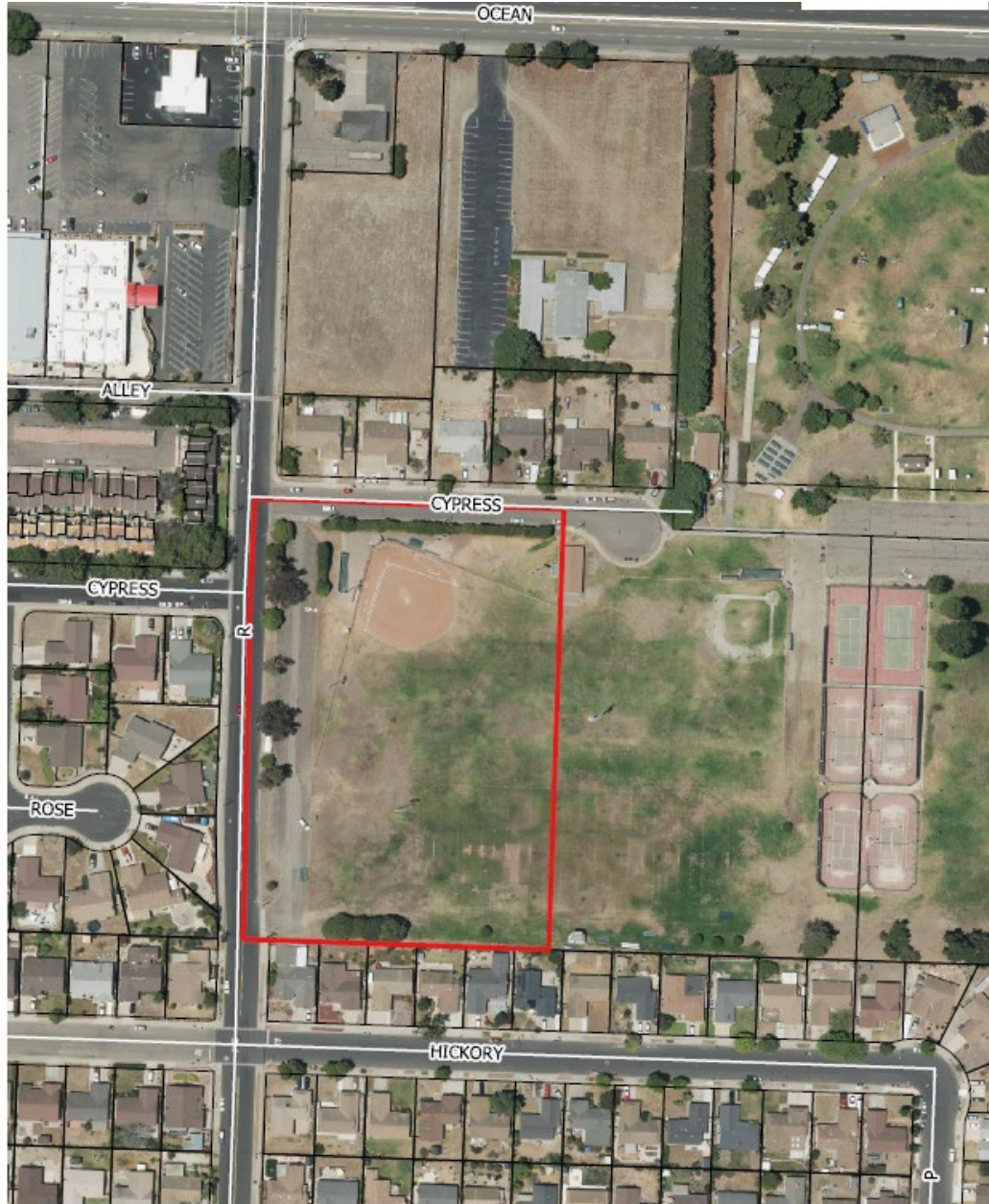


**Item #1:
CUP 21-03**

**Dish Wireless
Telecommunications Facility
at Ryon Park**

Planning Commission Meeting
January 26, 2022

Project Location



Existing Conditions

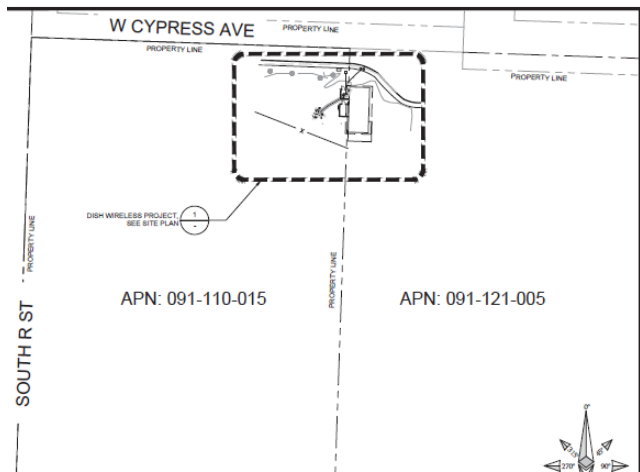
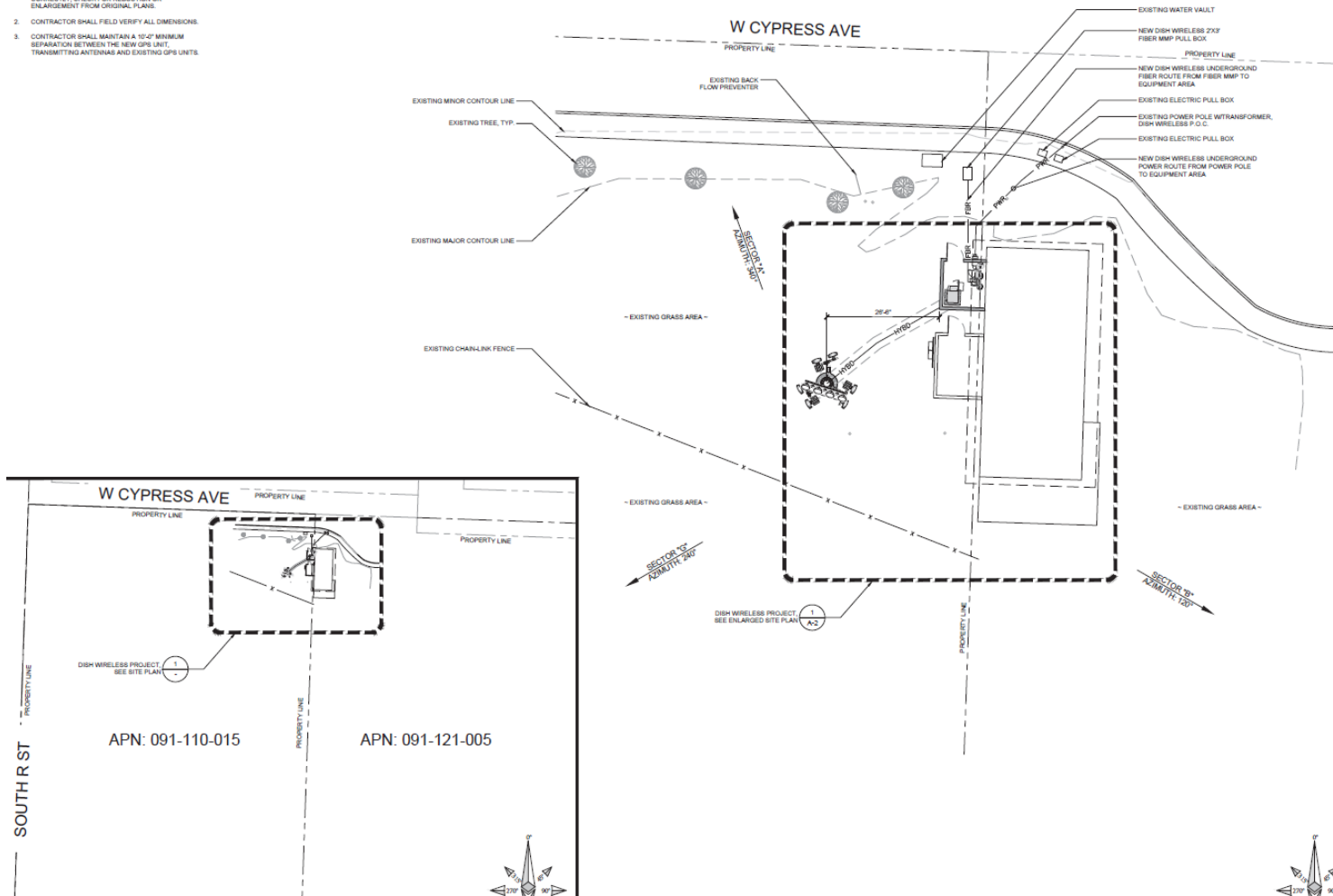


Existing Conditions



Proposed Site Plan

- CORRECTLY, CHECK FOR REDUCTION OR ENLARGEMENT FROM ORIGINAL PLANS.
- CONTRACTOR SHALL FIELD VERIFY ALL DIMENSIONS.
- CONTRACTOR SHALL MAINTAIN A 10'-0" MINIMUM SEPARATION BETWEEN THE NEW GPS UNIT, TRANSMITTING ANTENNAS AND EXISTING GPS UNITS.



dish wireless.

16812 ARMSTRONG AVE
SUITE 200
IRVINE, CA 92606

Eukon
an SFC Communications, Inc. Company

65 POST, SUITE 1000
IRVINE, CA 92618
TEL: (949) 553-8566
www.eukongroup.com

IT IS A VIOLATION OF LAW FOR ANY PERSON, UNLESS THEY ARE ACTING UNDER THE DIRECTION OF THE LICENSED PROFESSIONAL ENGINEER, TO ALTER THIS DOCUMENT.

DRAWN BY:	UTILITIES CHECKED BY:	A&E CHECKED BY:
EC	GO	RB

RFGS REV #:

ZONING DRAWINGS

SUBMITTALS		
REV	DATE	DESCRIPTION
0	07/07/2021	90% ZONING DRAWINGS

DISH WIRELESS PROJECT INFORMATION

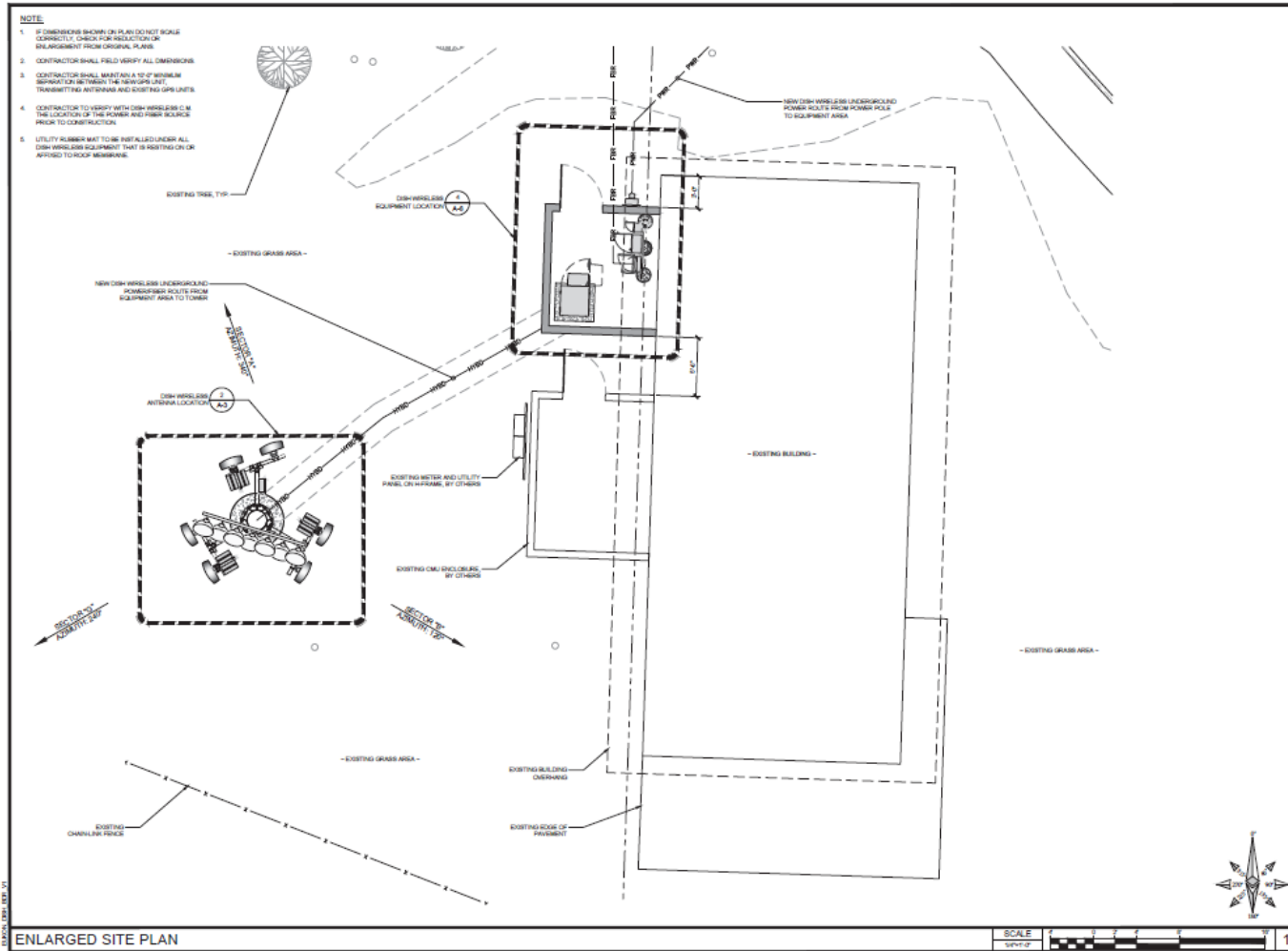
LALAX01040A

800 OCEAN AVE
LOMPOC, CA 93236

SHEET TITLE

SITE PLAN

Proposed Site Plan



dish
wireless.

16912 ARMISTONG AVE
SUITE 200
IRVINE, CA 92606

Eukon
an SFG Communications, Inc. Company

65 POST, SUITE 1000
IRVINE, CA 92619
TEL: (949) 553-8566
www.eukongroup.com

IT IS A VIOLATION OF LAW FOR ANY PERSON, UNLESS THEY ARE ACTING UNDER THE DIRECTION OF THE LICENSED PROFESSIONAL ENGINEER, TO ALTER THIS DOCUMENT.

DRAWN BY:	UTILITIES CHECKED BY:	AGE CHECKED BY:
EC	GD	RB
RFDS REV #:		
-		

ZONING DRAWINGS

SUBMITTALS		
REV	DATE	DESCRIPTION
0	07/07/21	MPN ZONING DRAWINGS

DISH WIRELESS PROJECT INFORMATION

LALAX01040A

800 OCEAN AVE.
LOMPOC, CA 93238

SHEET TITLE

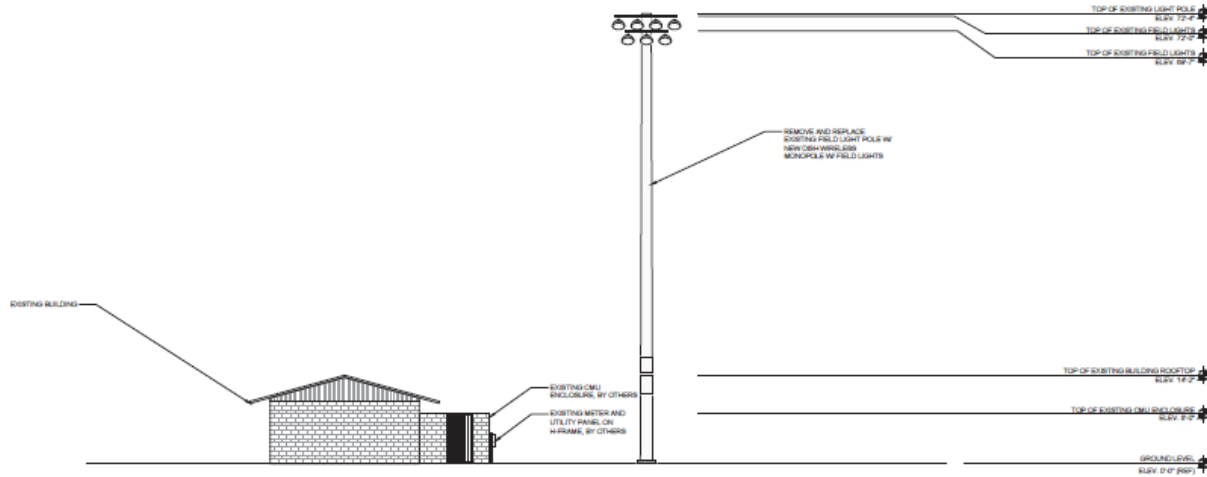
ENLARGED SITE PLAN

SHEET NUMBER

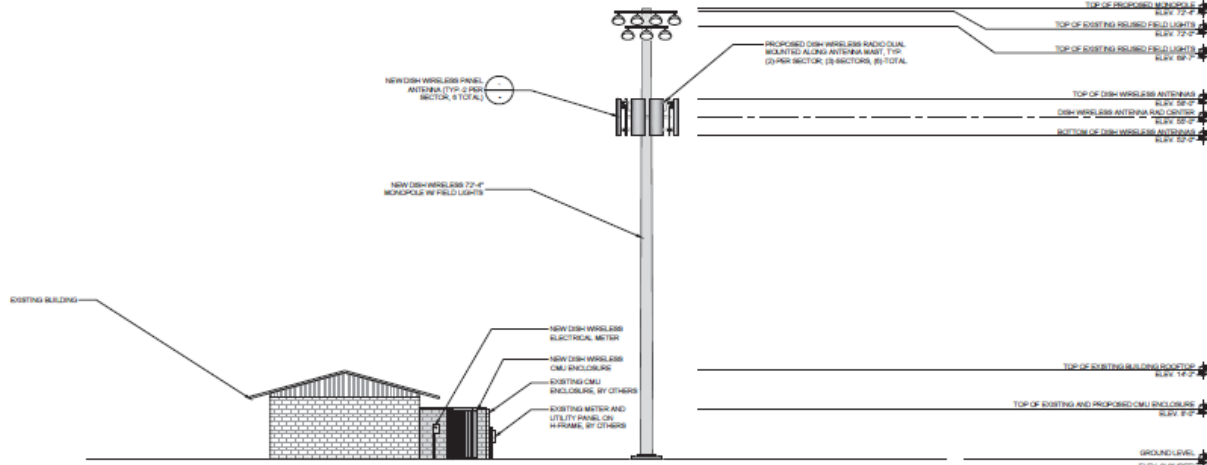
A-2

Existing/Proposed Elevations

- NOTE:**
1. IF DIMENSIONS SHOWN ON PLANS DO NOT MATCH CORRECTLY, CHECK FOR REDUCTION OR ENLARGEMENT FROM ORIGINAL PLANS.
 2. CONTRACTOR SHALL VERIFY ALL DIMENSIONS.
 3. CONTRACTOR SHALL MAINTAIN A 12" MINIMUM SEPARATION BETWEEN THE NEW WIRELESS TRANSMITTING ANTENNAS AND EXISTING GPS UNITS.



SCALE 1/8"=1'-0" 2



SCALE 1/8"=1'-0" 1

dish wireless.

15812 ARMSTRONG AVE
SUITE 200
IRVINE, CA 92606

Eukon
an BFC Communications, Inc. Company

65 POST, SUITE 1000
IRVINE, CA 92618
TEL: (949) 553-8566
www.eukongroup.com

IT IS A VIOLATION OF LAW FOR ANY PERSON, UNLESS THEY ARE ACTING UNDER THE DIRECTION OF THE LICENSED PROFESSIONAL ENGINEER, TO ALTER THIS DOCUMENT.

DRAWN BY:	UTILITIES CHECKED BY:	AGE CHECKED BY:
EC	GD	RB

RFDIS REV # -

ZONING DRAWINGS

SUBMITTALS

REV	DATE	DESCRIPTION
0	08/03/11	MIN ZONING DRAWINGS

DISH WIRELESS PROJECT INFORMATION

LALAXD1040A

800 OCEAN AVE.
LOMPOC, CA 93436

ELEVATIONS

SHEET NUMBER

A-4

EUKON, 08/03/11, 08/11

Proposed Antenna Plan



18812 ARMSTRONG AVE
SUITE 200
IRVINE, CA 92606



an SFC Communications, Inc. Company
65 POST, SUITE 1000
IRVINE, CA 92618
TEL: (949) 553-8566
www.eukongroup.com

IT IS A VIOLATION OF LAW FOR ANY PERSON UNLESS THEY ARE ACTING UNDER THE DIRECTION OF THE LICENSED PROFESSIONAL ENGINEER TO ALTER THIS DOCUMENT.

DRAWN BY: UTILITIES CHECKED BY: ALL CHECKED BY:
EC GD RB

RFDIS REV # -

ZONING DRAWINGS

SUBMITTALS

REV	DATE	DESCRIPTION
0	07/03/07	W/Z ZONING DRAWINGS

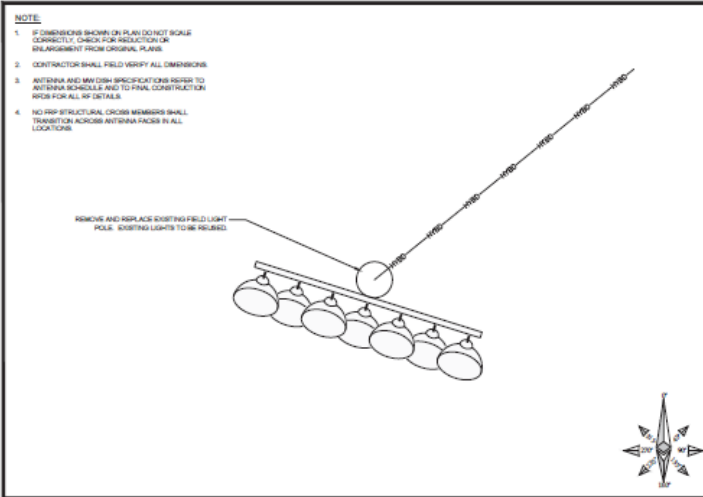
DISH WIRELESS PROJECT INFORMATION

LALAX01040A
800 OCEAN AVE.
LOMPOC, CA 93056

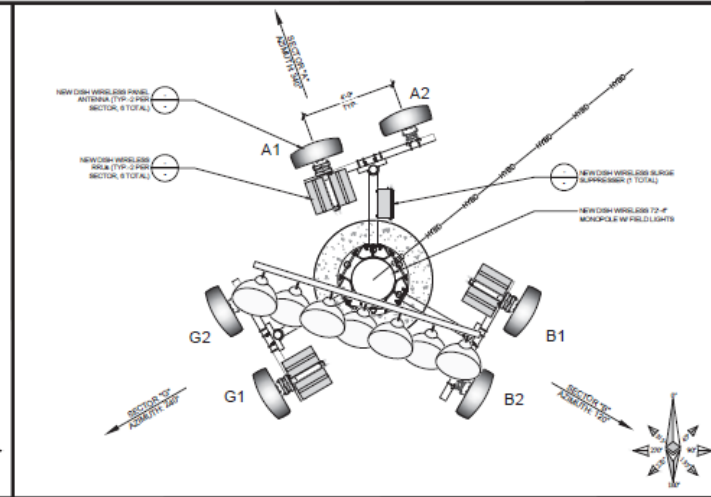
SHEET TITLE
ANTENNA PLAN AND SCHEDULE

SHEET NUMBER

A-3



EXISTING LIGHT POLE SCALE 1/8"=1'-0"



ANTENNA PLAN SCALE 1/8"=1'-0"

SECTOR	POSITION	ANTENNA							TRANSMISSION CABLE				
		EXISTING OR NEW	MANUFACTURER	MODEL NUMBER	TECHNOLOGY	SIZE (INCHES)	AZIMUTH	RAD. CENTER	MESH TEST	SLIC TEST	CABLE QTY.	HYBRID QTY.	HYBRID LENGTH
ALPHA	A1	NEW	MANUF. -XXXX	NR	72" x 26.0"	240°	9F	--	--	--	--	(1)	45'
	A2	NEW	MANUF. -XXXX	NR	72" x 26.0"	240°	9F	--	--	--	--	--	--
	A3	--	--	--	--	--	--	--	--	--	--	--	--
BETA	B1	NEW	MANUF. -XXXX	NR	72" x 26.0"	120°	9F	--	--	--	--	--	--
	B2	NEW	MANUF. -XXXX	NR	72" x 26.0"	120°	9F	--	--	--	--	--	--
	B3	--	--	--	--	--	--	--	--	--	--	--	--
GAMMA	G1	NEW	MANUF. -XXXX	NR	72" x 26.0"	240°	9F	--	--	--	--	--	--
	G2	NEW	MANUF. -XXXX	NR	72" x 26.0"	240°	9F	--	--	--	--	--	--
	G3	--	--	--	--	--	--	--	--	--	--	--	--

SECTOR	POSITION	MICROWAVE DSH				TRANSMISSION CABLE							
		EXISTING OR NEW	MANUFACTURER	MODEL NUMBER	TECHNOLOGY	DIAMETER	AZIMUTH	RAD. CENTER	MESH TEST	SLIC TEST	CABLE QTY.	HYBRID QTY.	HYBRID LENGTH
DELTA	MW1	--	--	--	--	--	--	--	--	--	--	--	--

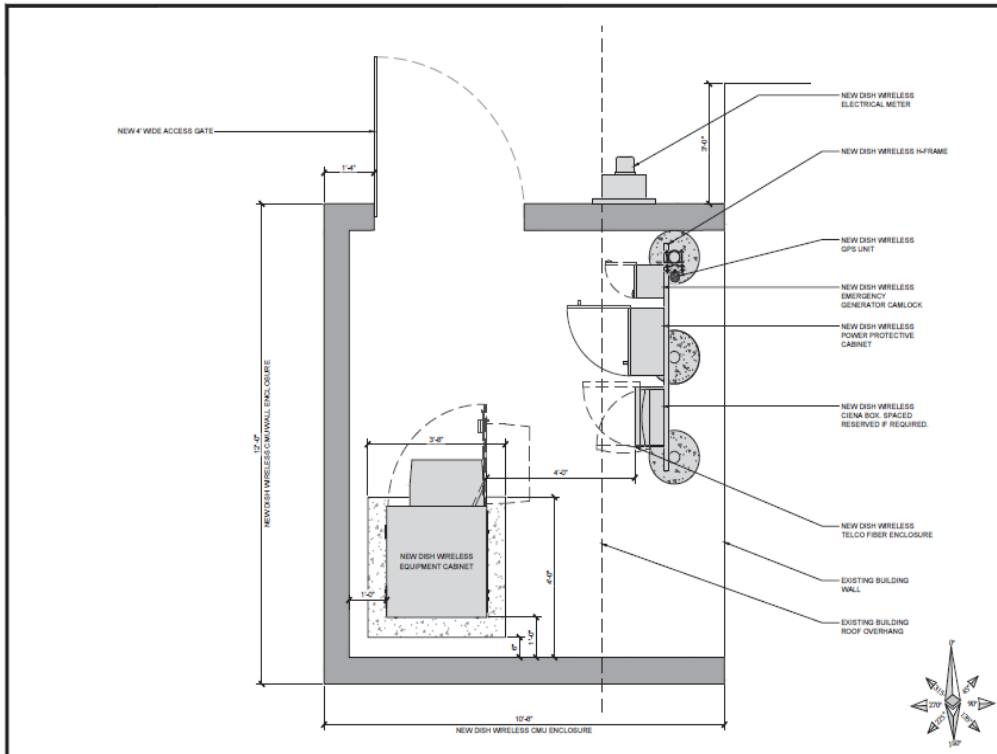
SECTOR	POSITION	RFDIS		CWP JUNCTION BOX		NOTES
		MANUFACTURER	MODEL NUMBER	TECHNOLOGY	MANUFACTURER	
ALPHA	A1	MANUF. -XXXX	MULTIBAND	MANUF. -XXXX	MULTIBAND	1. CONTRACTOR TO REFER TO FINAL CONSTRUCTION RFDIS FOR ALL RF DETAILS. 2. ANTENNA AND RFDIS WOODS MAY CHANGE DUE TO EQUIPMENT AVAILABILITY. ALL EQUIPMENT CHANGES MUST BE APPROVED AND REMAIN IN COMPLIANCE WITH THE NEW DISH AND STRUCTURAL ANALYSIS. 3. NO RFP STRUCTURAL CROSS MEMBERS SHALL TRANSITION ACROSS ANTENNA FACES IN ALL LOCATIONS.
	A1	MANUF. -XXXX	MULTIBAND	MANUF. -XXXX	MULTIBAND	
	A2	--	--	--	--	
BETA	B1	MANUF. -XXXX	MULTIBAND	MANUF. -XXXX	MULTIBAND	1. CONTRACTOR TO REFER TO FINAL CONSTRUCTION RFDIS FOR ALL RF DETAILS. 2. ANTENNA AND RFDIS WOODS MAY CHANGE DUE TO EQUIPMENT AVAILABILITY. ALL EQUIPMENT CHANGES MUST BE APPROVED AND REMAIN IN COMPLIANCE WITH THE NEW DISH AND STRUCTURAL ANALYSIS. 3. NO RFP STRUCTURAL CROSS MEMBERS SHALL TRANSITION ACROSS ANTENNA FACES IN ALL LOCATIONS.
	B1	MANUF. -XXXX	MULTIBAND	MANUF. -XXXX	MULTIBAND	
	B2	--	--	--	--	
GAMMA	G1	MANUF. -XXXX	MULTIBAND	MANUF. -XXXX	MULTIBAND	1. CONTRACTOR TO REFER TO FINAL CONSTRUCTION RFDIS FOR ALL RF DETAILS. 2. ANTENNA AND RFDIS WOODS MAY CHANGE DUE TO EQUIPMENT AVAILABILITY. ALL EQUIPMENT CHANGES MUST BE APPROVED AND REMAIN IN COMPLIANCE WITH THE NEW DISH AND STRUCTURAL ANALYSIS. 3. NO RFP STRUCTURAL CROSS MEMBERS SHALL TRANSITION ACROSS ANTENNA FACES IN ALL LOCATIONS.
	G1	MANUF. -XXXX	MULTIBAND	MANUF. -XXXX	MULTIBAND	
	G2	--	--	--	--	

ANTENNA SCHEDULE SCALE NONE

NOT USED SCALE NONE

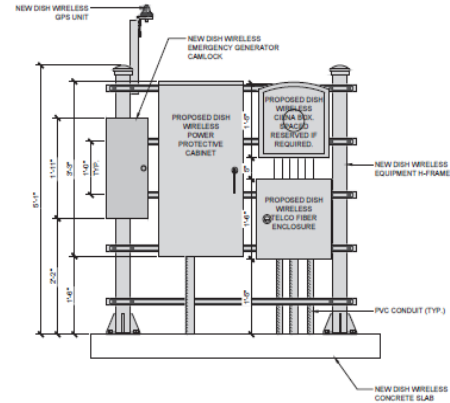
E:\WORK\1040A\1040A.DWG

Proposed Equipment Plan



NOTE:

1. EQUIPMENT CABINET OMITTED FOR CLARITY.



dish
wireless.

15812 ARMSTRONG AVE
SUITE 200
IRVINE, CA 92606

Eukon
an SPC Communications, Inc. Company

85 POST, SUITE 1000
IRVINE, CA 92618
TEL: (949) 553-8566
www.eukongroup.com

IT IS A VIOLATION OF LAW FOR ANY PERSON, UNLESS THEY ARE ACTING UNDER THE DIRECTION OF THE LICENSED PROFESSIONAL ENGINEER, TO ALTER THIS DOCUMENT.

DRAWN BY:	UTILITIES	ASE
EC	GO	RR
RFDS REV #:	--	

ZONING DRAWINGS

SUBMITTALS

REV	DATE	DESCRIPTION
03	07/07/2021	80% ZONING DRAWINGS

DISH WIRELESS PROJECT INFORMATION

LALAX01040A

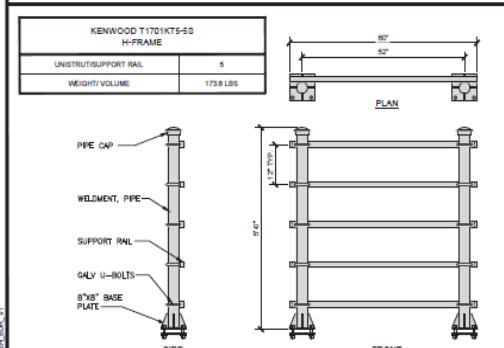
800 OCEAN AVE.
LOMPOC, CA 93236

SHEET TITLE
EQUIPMENT PLAN AND DETAILS

SHEET NUMBER

EQUIPMENT PLAN SCALE NONE 4

H-FRAME EQUIPMENT ELEVATION SCALE NONE 3



Stormwater & Engineering Conditions

- Add Stormwater and Engineering Conditions that were inadvertently omitted from Permit

Staff Recommendation

- Adopt Resolution No. 960 (22) approving CUP 21-03; or
- Provide other direction