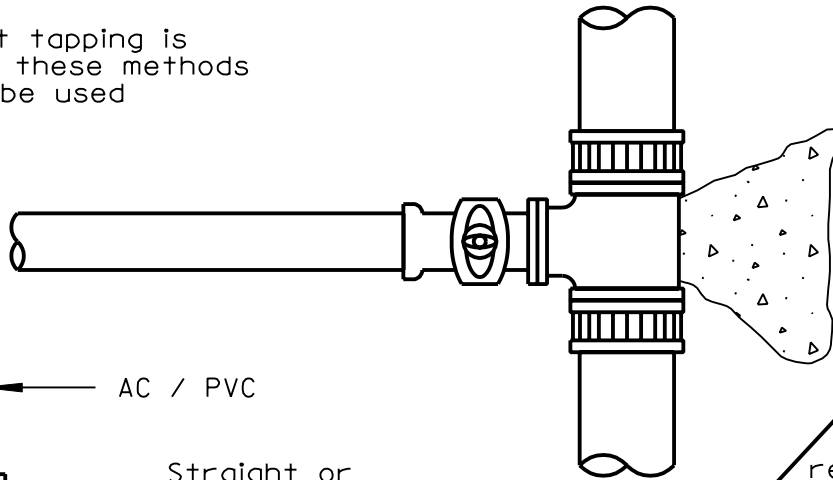
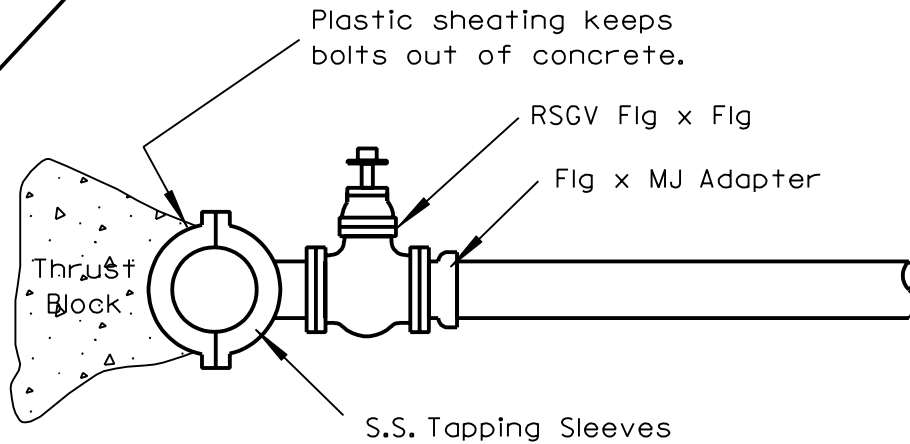
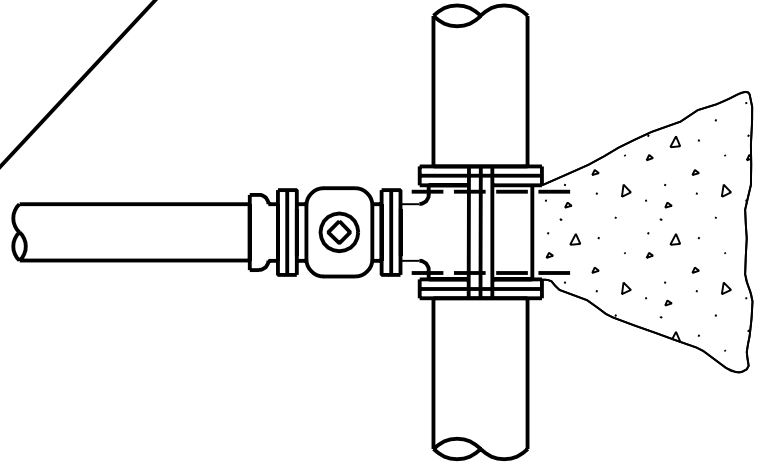
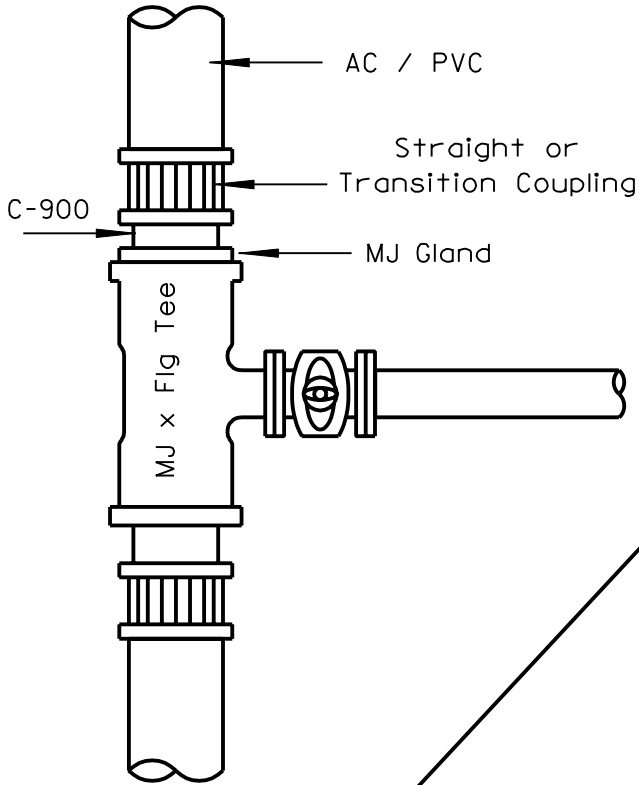


NOTE: This drawing is for Fire Hydrant Fire Line,
Backflow and Service Connections

When hot tapping is
not possible these methods
can be used



NOTE: Hot tapping is
required when connecting
a new service branch
from existing main,
ie. Hydrant Run,
Backflow Assembly



Drawing No. 414

CITY OF LOMPOC
Utility Department, Water Division

3", 4" AND 6" CONNECTIONS
ON EXISTING PIPE

MARK	REVISIONS	APPR.	DATE

Resolution No. 5008(02)

SHEET 1 OF 1