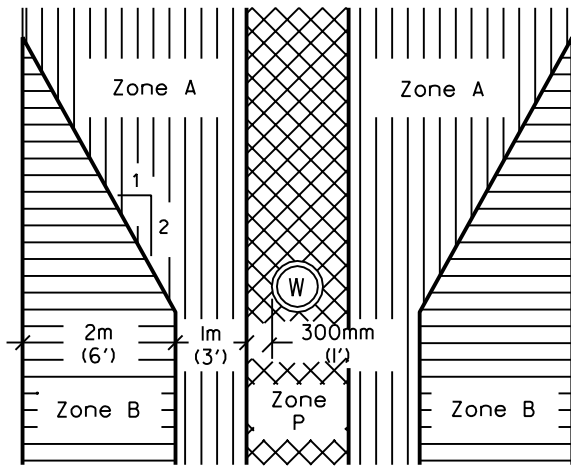
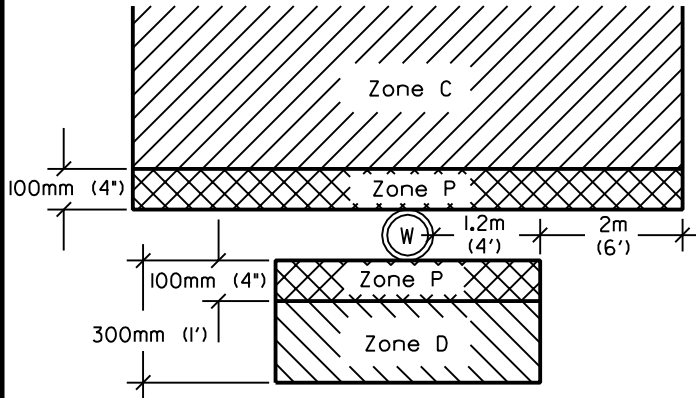


CASE 1 - NEW SEWER MAIN

PARALLEL



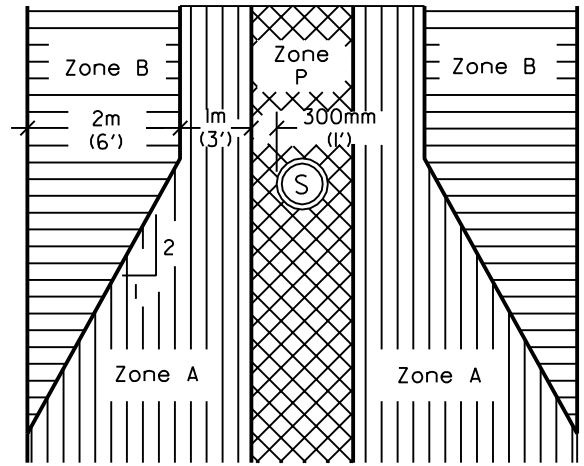
CROSSING



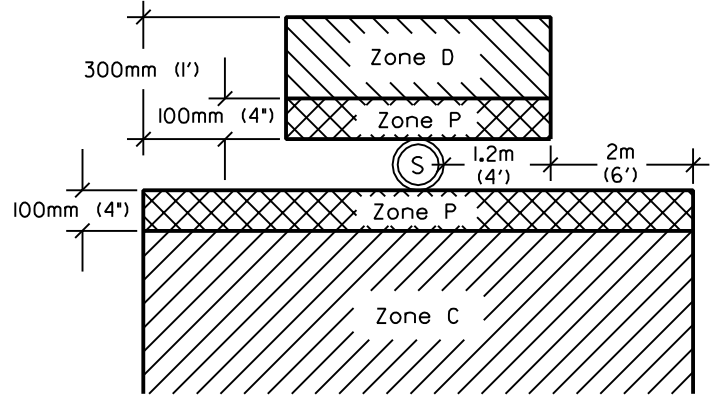
ZONE P is a prohibited zone,
Section 64630(e)(2), Title 22
California Administrative Code,

CASE 2 - NEW WATER MAIN

PARALLEL



CROSSING



ZONE P is a prohibited zone,
Section 64630(e)(2), Title 22
California Administrative Code,

DEFINITIONS

- HEALTH AGENCY - The Department of Health Services State of California. For water systems supplying fewer than 200 service connections. The local health officer shall act for the Department of Health Services.
- LOW HEAD WATER MAIN - Any water main which has a pressure of 5 P.S.I. (34.5 kPa) or less at any time at any point in the main.
- COMPRESSION JOINT - A push-on joint that seals by means of the compression of a rubber ring or gasket between the pipe and a bell or coupling.
- MECHANICAL JOINT - Bolted joints.
- RATED WORKING WATER PRESSURE or PRESSURE CLASS - A pipe classification system based upon internal working pressure of the fluid in the pipe, type of pipe material, and the thickness of the pipe wall.
- FUSED JOINT - The joining of sections of pipe using thermal or chemical bonding processes.
- SLEEVE - A protective tube of steel with a wall thickness of not less than 1/4" (6 mm) into which a pipe is inserted.
- GROUND WATER - Subsurface water found in the saturation zone.
- HOUSE LATERAL - A wastewater line connecting the building drain and the main wastewater line.

Drawing No. 413

CITY OF LOMPOC
Utility Department, Water Division

CRITERIA FOR THE SEPARATION
OF WATER MAINS AND SANITARY SEWERS

MARK	REVISIONS	APPR.	DATE