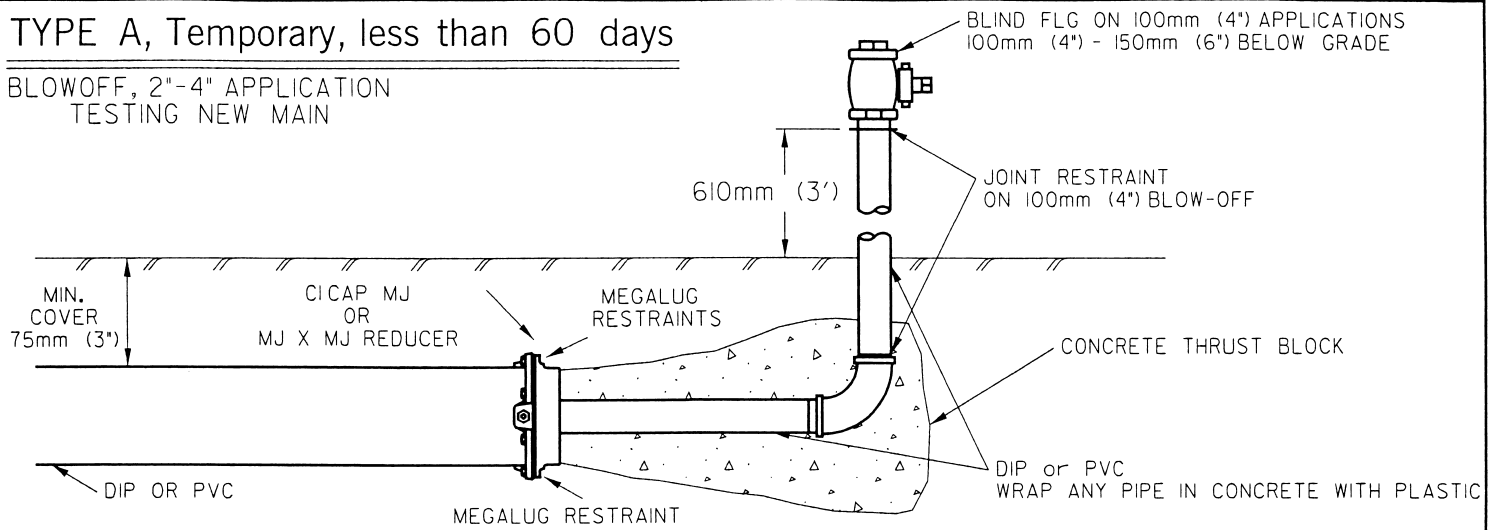


TYPE A, Temporary, less than 60 days

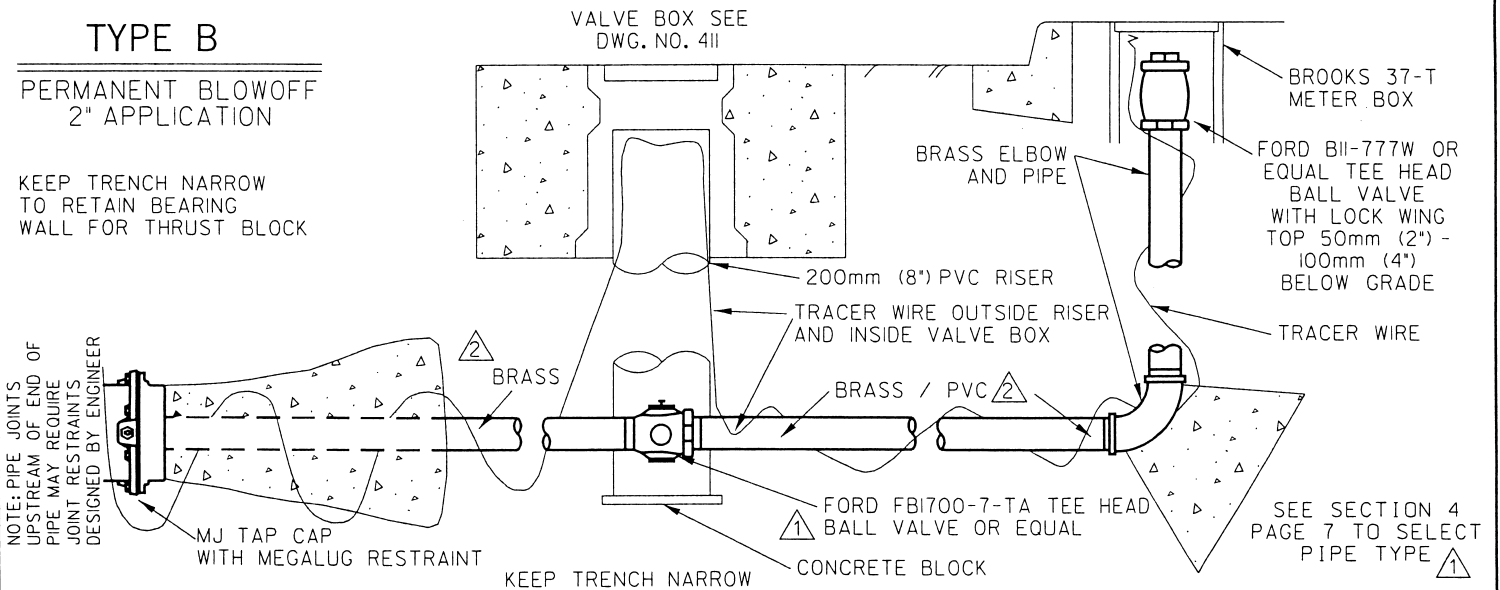
BLOWOFF, 2"-4" APPLICATION
TESTING NEW MAIN



TYPE B

PERMANENT BLOWOFF
2" APPLICATION

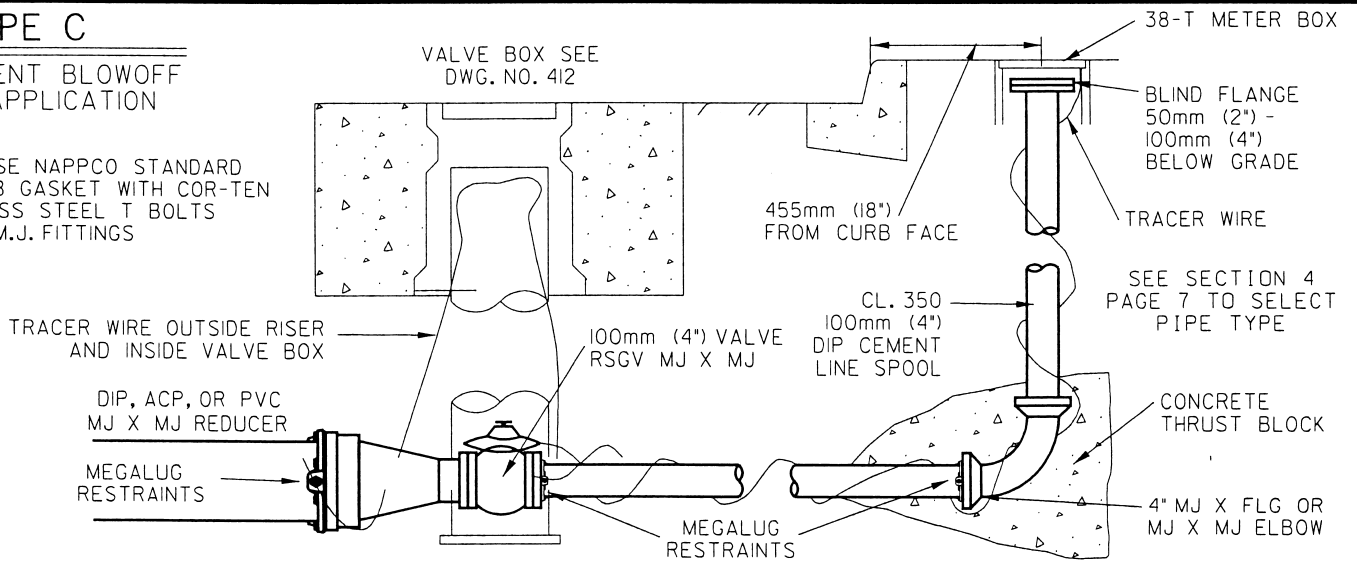
KEEP TRENCH NARROW TO RETAIN BEARING WALL FOR THRUST BLOCK



TYPE C

PERMANENT BLOWOFF
4"-6" APPLICATION

NOTE: USE NAPPCO STANDARD GLAND 8 GASKET WITH COR-TEN STAINLESS STEEL T BOLTS ON AL M.J. FITTINGS



Drawing No. 402

CITY OF LOMPOC
Utility Department, Water Division

⚠	Modify Manufacturer Ref.	KM	1/07
⚠	Fix material for Type B	KM	9/07

2"-6" BLOWOFF INSTALLATION